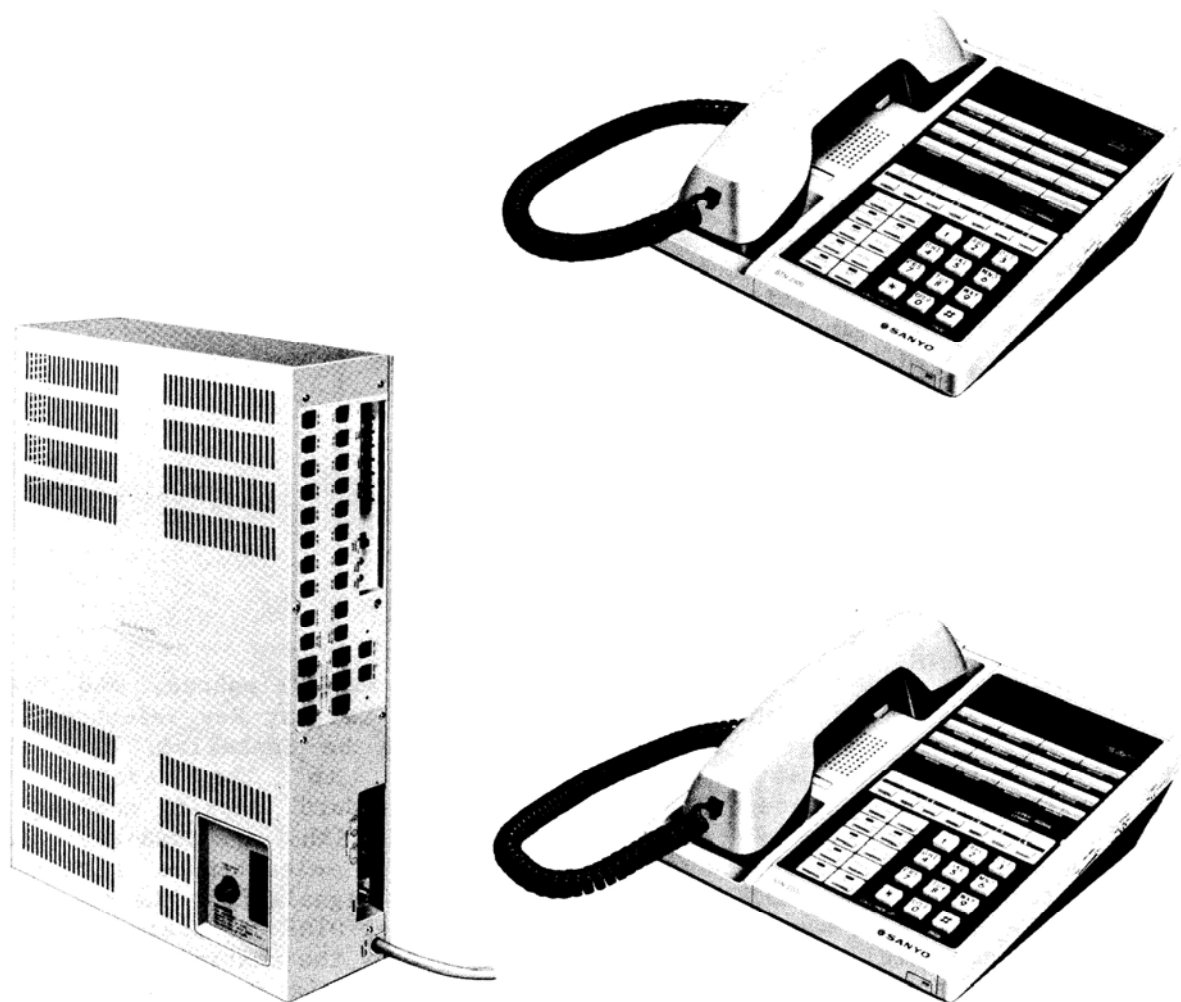


KEY TELEPHONE SYSTEM MODEL EKS6160

SYSTEM INFORMATION



 **SANYO**

EKS6160 KEY SERVICE UNIT

The EKS6160 Key Service Unit is compatible with either one of floor mounting or wall mounting. The EKS6160 is shown in Fig. 1.

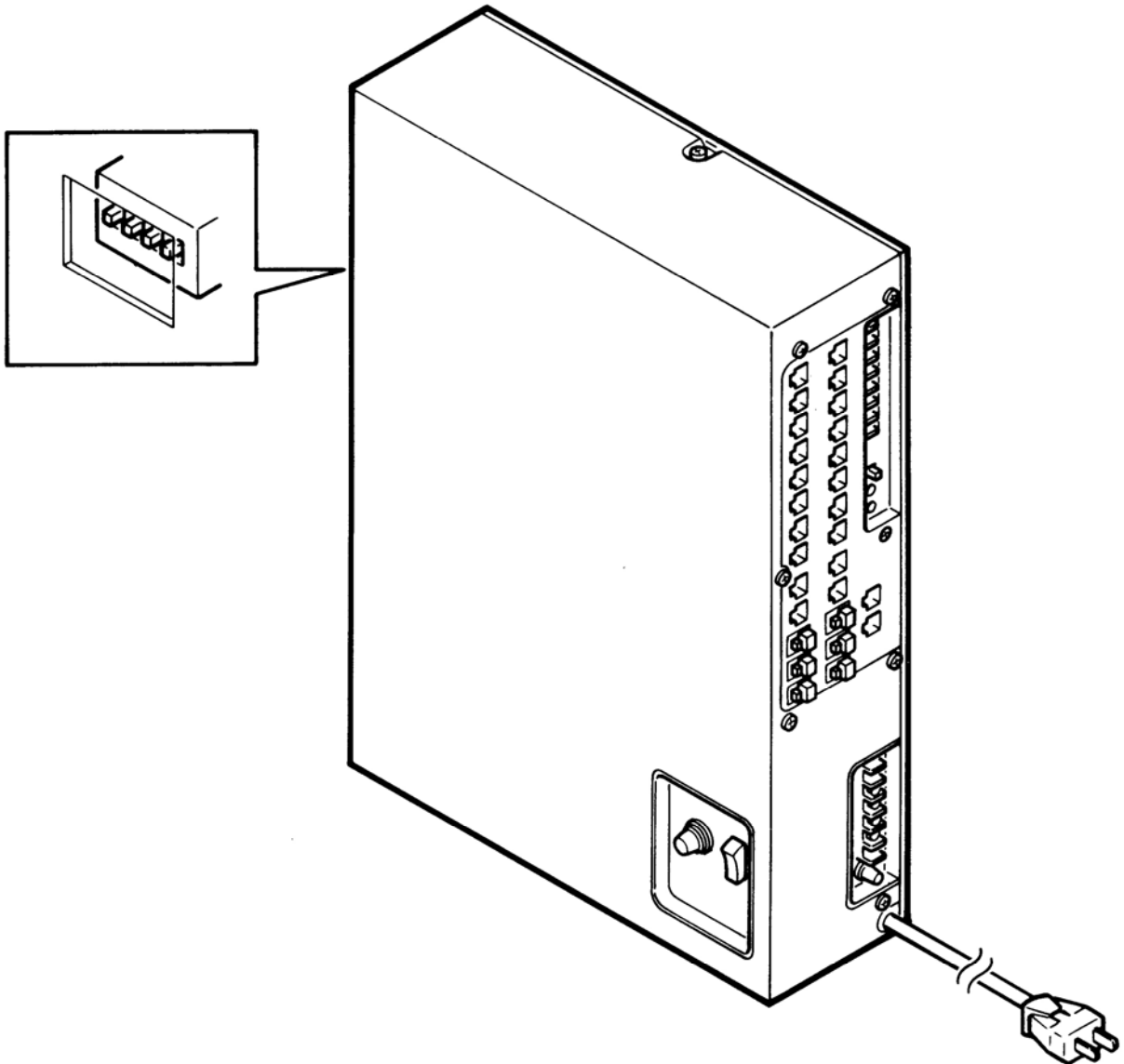


Fig. 1

STN2000 STANDARD KEY TELEPHONE

The STN2000 Standard Key Telephone is shown in Fig. 2.

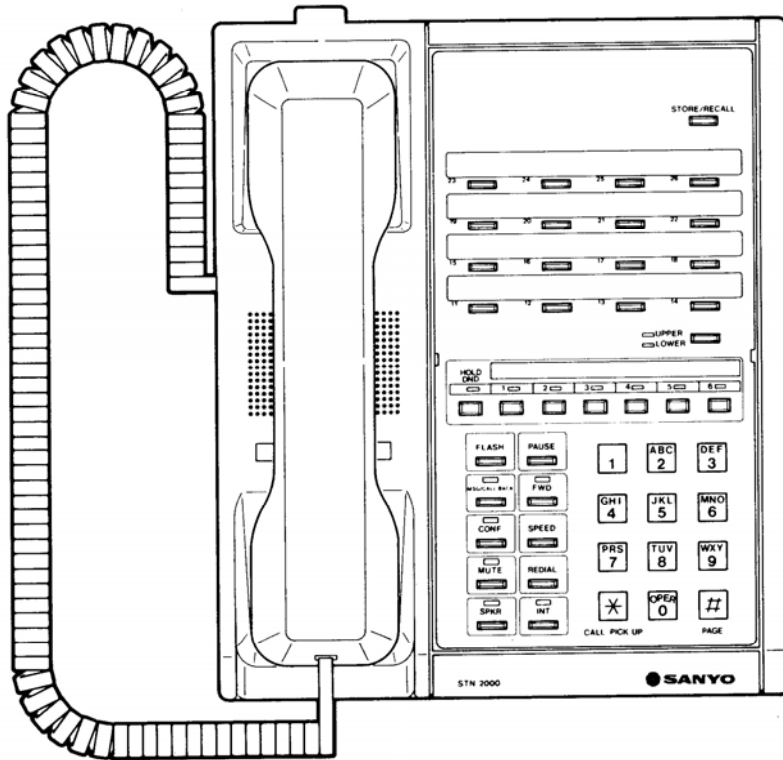


Fig. 2

STN2100 EXECUTIVE KEY TELEPHONE

The executive STN2100 Key Telephone has BLFs and LCD multi-display. The STN2100 is shown in Fig.3.

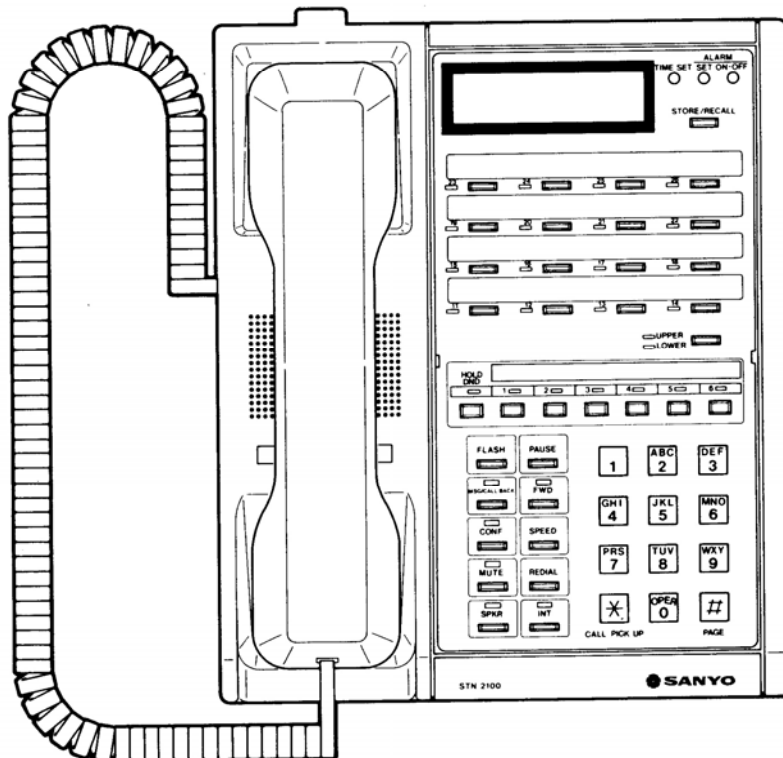


Fig. 3

SYSTEM OPERATION

The system consists of a KSU and up to 16 electronic key telephones as shown in Fig. 4. All connections between the KSU and stations are connected by a cable with modular jack-plug. Using modular line

cables, the CO lines are then connected between the KSU and the telephone company-provided RJ-25C jacks. An external music source is required if the music-on-hold feature is utilized. See CONNECTIONS.

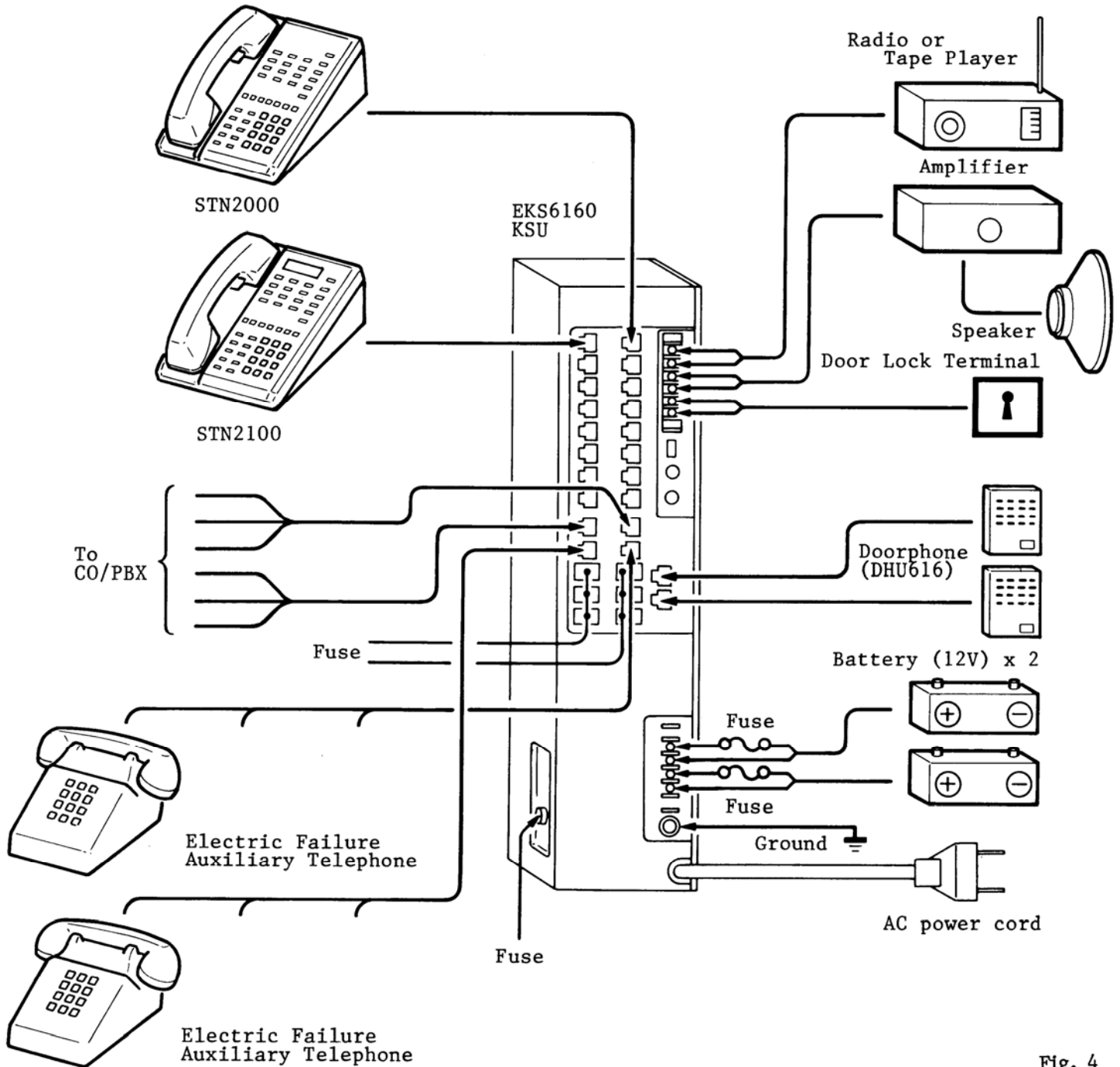


Fig. 4